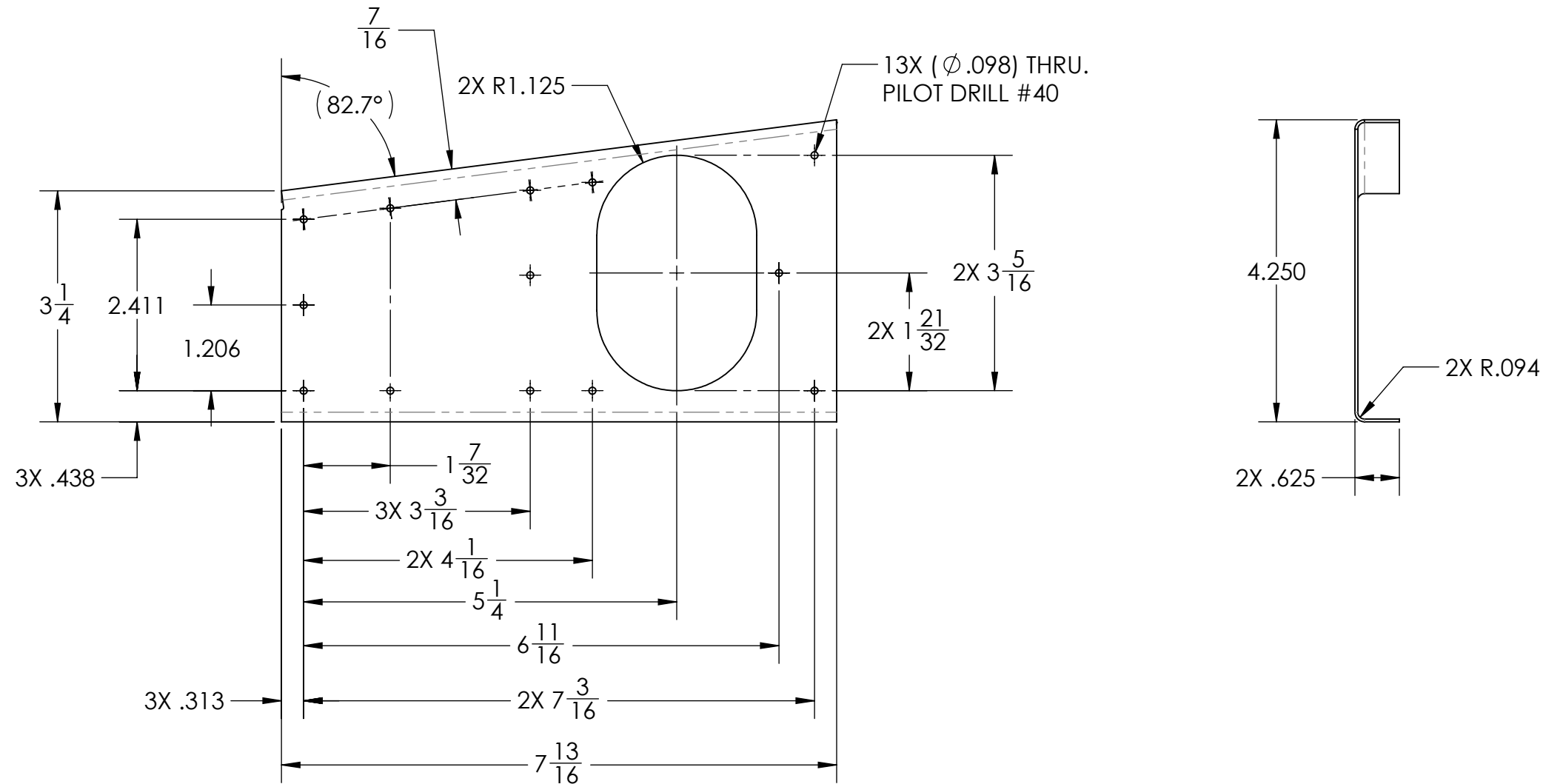


NOTES:

- 1. BREAK ALL SHARP EDGES.
- 2. APPLIES TO BOTH IO540 AND LS7 HELICOPTERS.

REVISIONS				
ZONE	REV.	DESCRIPTION	DATE	APPROVED
	C	REDRAWN IN CAD	11/14/2016	BGC



CHROMATE BASED PRIMER COATING	TT-P-1757, TYPE I, CLASS C	N/A
FINISH TYPE	FINISH SPECIFICATION	NOTE

FIND NO.	QTY.	PART NUMBER	DESCRIPTION	DIAMETER	THICKNESS	MATERIAL	COML. SPEC.	GOVT. SPEC.	TS-LBS/SQ IN
1	1	S11-20-3280-K	CHANNEL, FUSELAGE MAIN PITCH STICK BRACKET	N/A	.040	ALUMINUM ALLOY	2024-T3	QQ-A-250/4	63,000

<p>PROPRIETARY AND CONFIDENTIAL</p> <p>THIS DOCUMENT CONTAINS PROPRIETARY INFORMATION THAT IS THE SOLE PROPERTY OF VERTICAL AVIATION TECHNOLOGIES, INCORPORATED AND IS TENDERED SUBJECT TO THE FOLLOWING CONDITIONS. THE INFORMATION (A) WILL BE RETAINED IN CONFIDENCE, (B) WILL NOT BE COPIED OR REPRODUCED IN WHOLE OR IN PART AND (C) WILL NOT BE USED OR INCORPORATED IN ANY PRODUCT EXCEPT UNDER AN EXPRESS WRITTEN AGREEMENT WITH VERTICAL AVIATION TECHNOLOGIES, INCORPORATED</p>	UNLESS OTHERWISE SPECIFIED:	NAME	DATE	<p><i>Vertical Aviation Technologies, Incorporated</i> 1609 Hangar Road Sanford, Florida 32773 407-322-9488 www.vertical-aviation.com</p>	
	DIMENSIONS ARE IN INCHES	DRAWN	J. BODJACK		11/14/2016
	STANDARD TOLERANCES FRACTIONS: ±1/32 X.XX: ±.01 X.XXX: ±.005 ANGLES: ±.5°	CHECKED	BGC		11/14/2016
		APPROVED	BGC		11/14/2016
	INTERPRET GEOMETRIC TOLERANCING PER: ASME Y14.5	S11-20-3512-K	300L/300LS		
DO NOT SCALE DRAWING	S11-20-3500-K	300L/300LS			
	NEXT ASSY	USED ON		TITLE: CHANNEL, FUSELAGE MAIN PITCH STICK BRACKET	
	APPLICATION			SIZE DWG NO B S11-20-3280-K	
				REV C	
				SCALE: 1:2 WEIGHT: 2.1 OZ SHEET 1 OF 1	