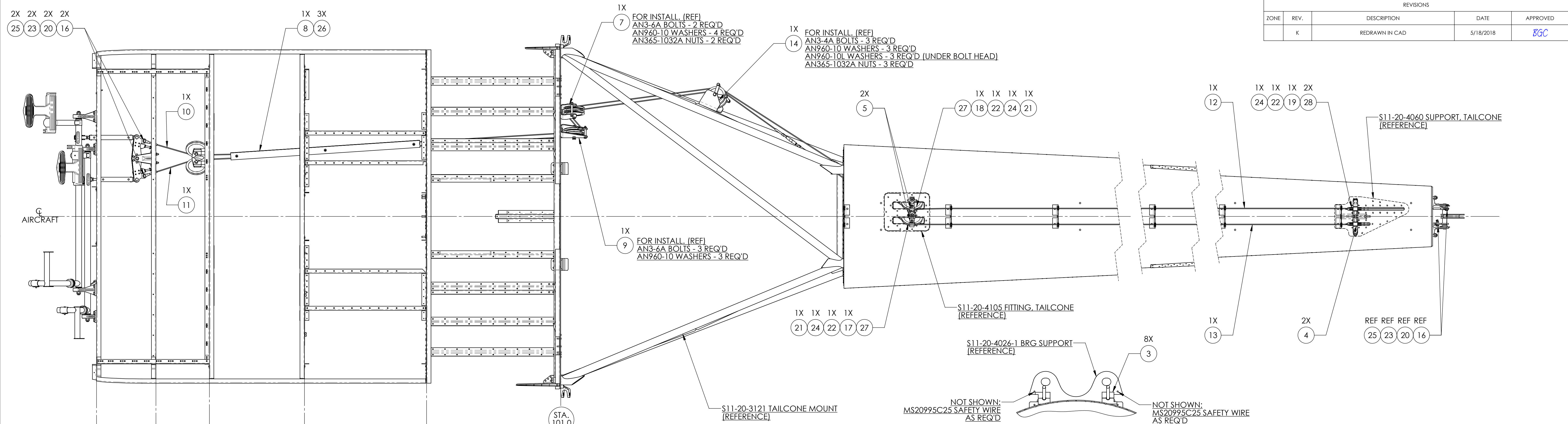
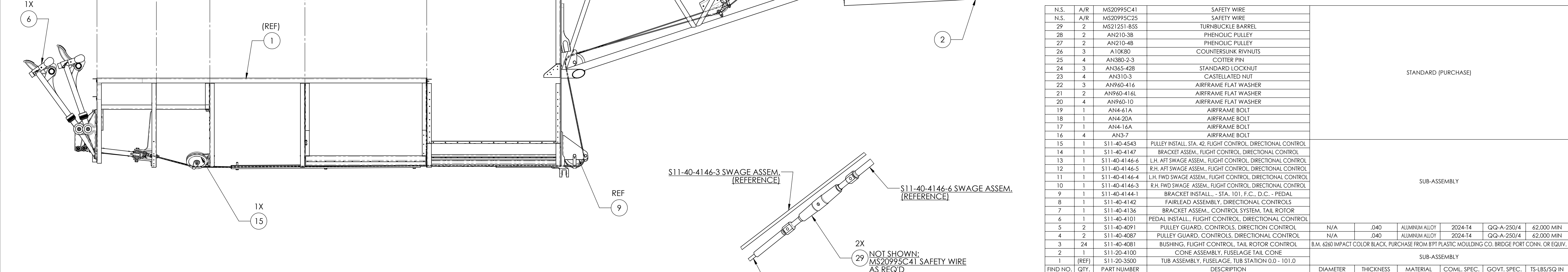
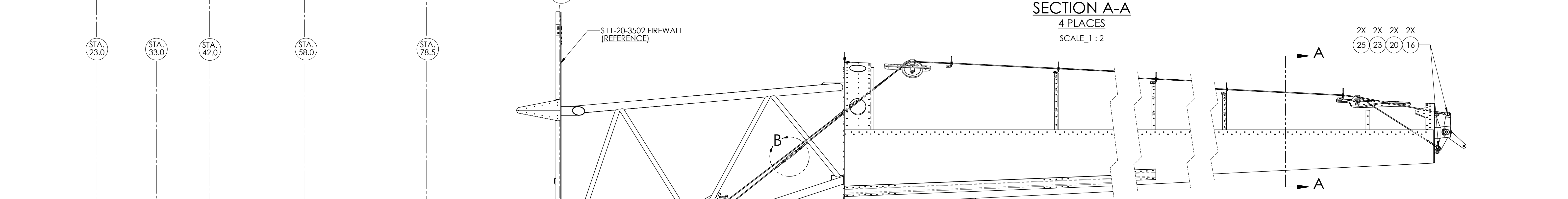


| REVISIONS | | | | |
|-----------|------|----------------|-----------|----------|
| ZONE | REV. | DESCRIPTION | DATE | APPROVED |
| | K | REDRAWN IN CAD | 5/18/2018 | BGC |



SECTION A-A
4 PLACES
SCALE 1:2



| FIND NO. | QTY. | PART NUMBER | DESCRIPTION | DIAMETER | THICKNESS | MATERIAL | COML. SPEC. | GOVT. SPEC. | TS-LBS/SQ IN |
|----------|-------|---------------|--|----------|-----------|----------|-------------|-------------|--------------|
| N.S. | A/R | MS20995C41 | SAFETY WIRE | | | | | | |
| N.S. | A/R | MS20995C25 | SAFETY WIRE | | | | | | |
| 29 | 2 | MS21251-85S | TURNBUCKLE BARREL | | | | | | |
| 28 | 2 | AN210-3B | PHENOLIC PULLEY | | | | | | |
| 27 | 2 | AN210-4B | PHENOLIC PULLEY | | | | | | |
| 26 | 3 | A10K80 | COUNTERSUNK RIVNUTS | | | | | | |
| 25 | 4 | AN380-2-3 | COTTER PIN | | | | | | |
| 24 | 3 | AN365-428 | STANDARD LOCKNUT | | | | | | |
| 23 | 4 | AN310-3 | CASTELLATED NUT | | | | | | |
| 22 | 3 | AN960-416 | AIRFRAME FLAT WASHER | | | | | | |
| 21 | 2 | AN960-416L | AIRFRAME FLAT WASHER | | | | | | |
| 20 | 4 | AN960-10 | AIRFRAME FLAT WASHER | | | | | | |
| 19 | 1 | AN4-61A | AIRFRAME BOLT | | | | | | |
| 18 | 1 | AN4-20A | AIRFRAME BOLT | | | | | | |
| 17 | 1 | AN4-16A | AIRFRAME BOLT | | | | | | |
| 16 | 4 | AN3-7 | AIRFRAME BOLT | | | | | | |
| 15 | 1 | S11-40-4543 | PULLEY INSTALL. STA. 42, FLIGHT CONTROL, DIRECTIONAL CONTROL | | | | | | |
| 14 | 1 | S11-40-4147 | BRACKET ASSEM., FLIGHT CONTROL, DIRECTIONAL CONTROL | | | | | | |
| 13 | 1 | S11-40-4146-6 | L.H. AFT SWAGE ASSEM., FLIGHT CONTROL, DIRECTIONAL CONTROL | | | | | | |
| 12 | 1 | S11-40-4146-5 | R.H. AFT SWAGE ASSEM., FLIGHT CONTROL, DIRECTIONAL CONTROL | | | | | | |
| 11 | 1 | S11-40-4146-4 | L.H. FWD SWAGE ASSEM., FLIGHT CONTROL, DIRECTIONAL CONTROL | | | | | | |
| 10 | 1 | S11-40-4146-3 | R.H. FWD SWAGE ASSEM., FLIGHT CONTROL, DIRECTIONAL CONTROL | | | | | | |
| 9 | 1 | S11-40-4144-1 | BRACKET INSTALL. - STA. 101, F.C., D.C., - PEDAL | | | | | | |
| 8 | 1 | S11-40-4142 | FAIRLEAD ASSEMBLY, DIRECTIONAL CONTROLS | | | | | | |
| 7 | 1 | S11-40-4136 | BRACKET ASSEM., CONTROL SYSTEM, TAIL ROTOR | | | | | | |
| 6 | 1 | S11-40-4101 | PEDAL INSTALL., FLIGHT CONTROL, DIRECTIONAL CONTROL | | | | | | |
| 5 | 2 | S11-40-4091 | PULLEY GUARD, CONTROLS, DIRECTION CONTROL | | | | | | |
| 4 | 2 | S11-40-4087 | PULLEY GUARD, CONTROLS, DIRECTIONAL CONTROL | | | | | | |
| 3 | 24 | S11-40-4081 | BUSHING, FLIGHT CONTROL, TAIL ROTOR CONTROL | | | | | | |
| 2 | 1 | S11-20-4100 | CONE ASSEMBLY, FUSELAGE TAIL CONE | | | | | | |
| 1 | (REF) | S11-20-3500 | TUB ASSEMBLY, FUSELAGE, TUB STATION 0.0 - 101.0 | | | | | | |

- NOTES:
- TIGHTEN CABLES TO 50LBS.
 - SOME COMPONENTS HIDDEN FOR CLARITY.

DETAIL B
2 PLACES
SCALE 1:2

PROPRIETARY AND CONFIDENTIAL

UNLESS OTHERWISE SPECIFIED:
DIMENSIONS ARE IN INCHES

STANDARD TOLERANCES
FRACTIONS: ±1/32
X.XX: ±0.01
X.XXX: ±0.005
ANGLES: ±5°

INTERPRET GEOMETRIC TOLERANCING PER: ASME Y14.5
DO NOT SCALE DRAWING

NAME: S. OLANREWAJU
DATE: 5/18/2018
DRAWN: S. OLANREWAJU
CHECKED: BGC
APPROVED: BGC

Vertical Aviation Technologies, Incorporated
1609 Hangar Road
Sanford, Florida 32773
407-322-9488
www.vertical-aviation.com

TITLE: INSTALLATION, DIRECTIONAL CONTROL

SIZE: DWG NO. D
S11-40-4100-K

REV: K

SCALE: 1:8
WEIGHT: OZ
SHEET 1 OF 1